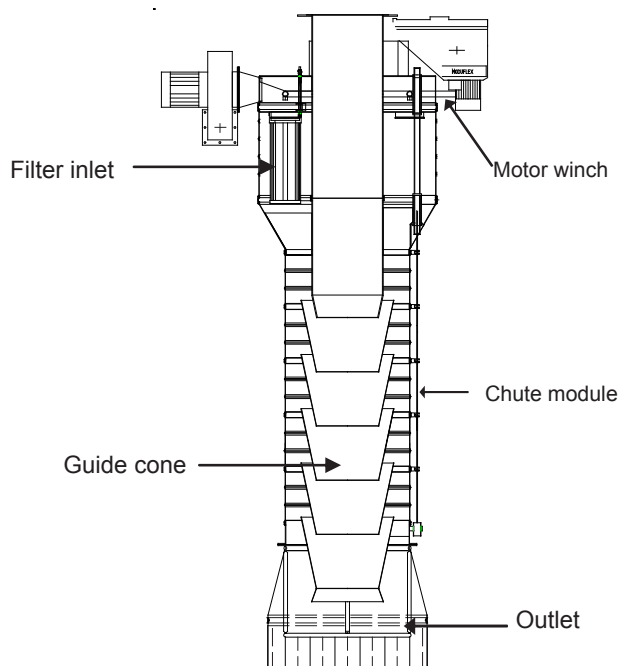


MODUFLEX LOADING CHUTE HDF400



Technical Information – HDF400	
Filter Inlet	Cylindrical/conical inlet tube in 4 mm steel. Fitting Ø400 PN10 flange (2576B). For 16 off M24 bolts. Filter module with built-in cartridge filter, pressure tank, magnetic valves etc. 9 off filter cartridges, totals 13,5 m ² c/w jubilee clip. Fan with 1,1kW motor and air regulator. Fan connection Ø200 with flange.
Chute Modules	Type Y - Standard: Yellow. PVC/Polyester. Ø700/H=300mm Temperature -35°C - +70°C Type M - Food Grade: Light Grey. PVC/Polyester. Ø700/H=300mm Temperature -30°C - +70°C Type W - Special: Misc. PVC/Polyester. Ø700/H=300mm Temperature -35°C - +70°C Type B - Heavy Duty: Black. Synthetic rubber. Ø700/H=300mm. Temperature -40°C - +130°C Type G - Extreme Temperature: Grey. Teflon/Fiber glass. Ø700/H=300mm. Temperature +35°C - +70°C. Type R - High temperature: Red. Polyester and fiber/silicone rubber. Ø700/H=300mm. Temp. -40°C - +150°C (peak +220°C) Type Z - Low temperature: Green. PVC/PU. Ø700mm/H=300mm. Temperature -60° C - +70° C Connection ring in stainless steel Aisi 304, c/w 3 off wire guides in nylon.
Guide Cones	Type O - Support ring. Steel, H=30mm Type J - Steel Standard. Steel, H150mm, pt=2mm. Type L - Steel Overlapping, Steel, H405mm, pt=2mm.
Outlet	Type T – Tank Outlet with steel cone for loading in tanker truck. Type F – Flat Outlet with dust skirt for loading in open truck. Type M – Multi Outlet with steel cone and dust skirt for loading in tanker truck and open truck.
Motor Winch	Motor 0.55kW-2.2 kW, 1400 rpm. Gear box ratio 100:1. Tight and slack wire indication External 3-point wire hoist system with high precision ball bearings and 3 off winch discs vertically fitted. Hoist wires Ø5mm available in steel, stainless steel Aisi316 or Long Life steel quality. Self-lubricating wire rollers in Ertalite TX, alternatively steel/stainless steel with bronze bearing
General info	Max. loading capacity approx. 440 m ³ /hour. Compressed air supply, filter: Connection 3-4 bar. Filter cleaning air consumption 100-500 NL/min. Metal parts available in painted steel st. 37 or stainless steel Aisi 304. Other steel qualities on demand. Surface treatment St. 37: Iron phosphating, 80 micron coating RAL 9010 pure white. Surface treatment Aisi 304: Acid-washed without any further treatment Motor winch covers in steel Available with full approval and certificates for location in ATEX zone 21 and 22 (zone 20 inside the chute)

Accessories for loading chute HDF400 please see separate Data Sheets.