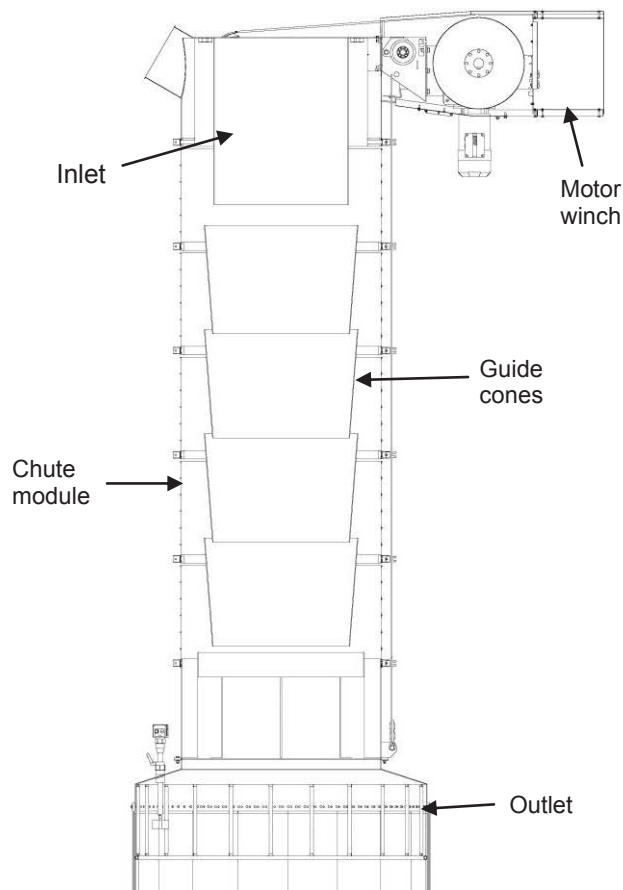
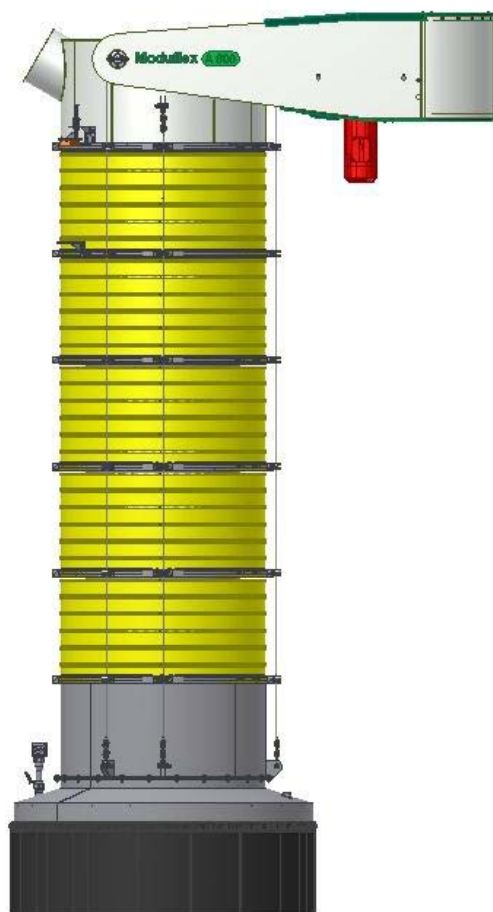


MODUFLEX LOADING CHUTE A800



Technical Information – A800	
Inlet	Cylindrical inlet in 3 mm steel. With DN800 connection with flange. 1 off exhaust connections Ø350.
Chute modules	Type Y - Standard: Yellow. PVC/Polyester. Ø=1200mm/H=625mm. Temperature -35°C - +70°C Type B - Heavy Duty: Black. Synthetic rubber. Ø=1200mm/H=625mm. Temperature -40°C - +130°C Type R - High temperature: Red. Polyester and fiber/silicone rubber. Ø1200/H625mm. Temp. -40°+150°C(peak+220°C). Type Z - Low temperature: Green. PVC/PU. Ø1200mm/H=625mm. Temperature -60° C - +70° C. Connection ring in stainless steel AISI 304, c/w 3 off wire guides in nylon and fittings for relief wires.
Cones	Type J - Steel Standard. Steel, H=300mm, pt=2/4mm. Type L - Steel Overlapping. Steel, H=650mm, pt=2/4mm.
Outlet	Type F – Flat outlet with dust skirt for open loading. Type T – Tank outlet for closed loading.
Motor Winch	Motor 2.2- 7,5 kW. Gear box ratio 124-143:1, 1425-1460rpm. Tight wire indication on 1 hoisting wire and slack wire indication on 3 hoisting wires. External 3-point wire hoist system with high precision ball bearings and 3 off winch discs vertically fitted. 2 off relief wires. Hoist/relief wires Ø8mm available in steel or stainless steel AISI316. Wire rollers in steel or stainless steel with high precision ball bearings.
General info	Max. loading capacity approx. 1800 m³/hour. Recommended connecting value for aspiration 7000m³/hour 100 Pa. Metal parts available in steel st. 37, stainless steel AISI 304 or Hardox 400. Other steel qualities on demand. Surface treatment st. 37/Hardox 400: Iron phosphating, 80 micron coating RAL 9010 pure white. Surface treatment AISI 304: Acid-washed without any further treatment Optional: Hot dip galvanized inlet/outlet. Available with full approval and certificates for location in ATEX zone 22 (zone 20 inside the chute)