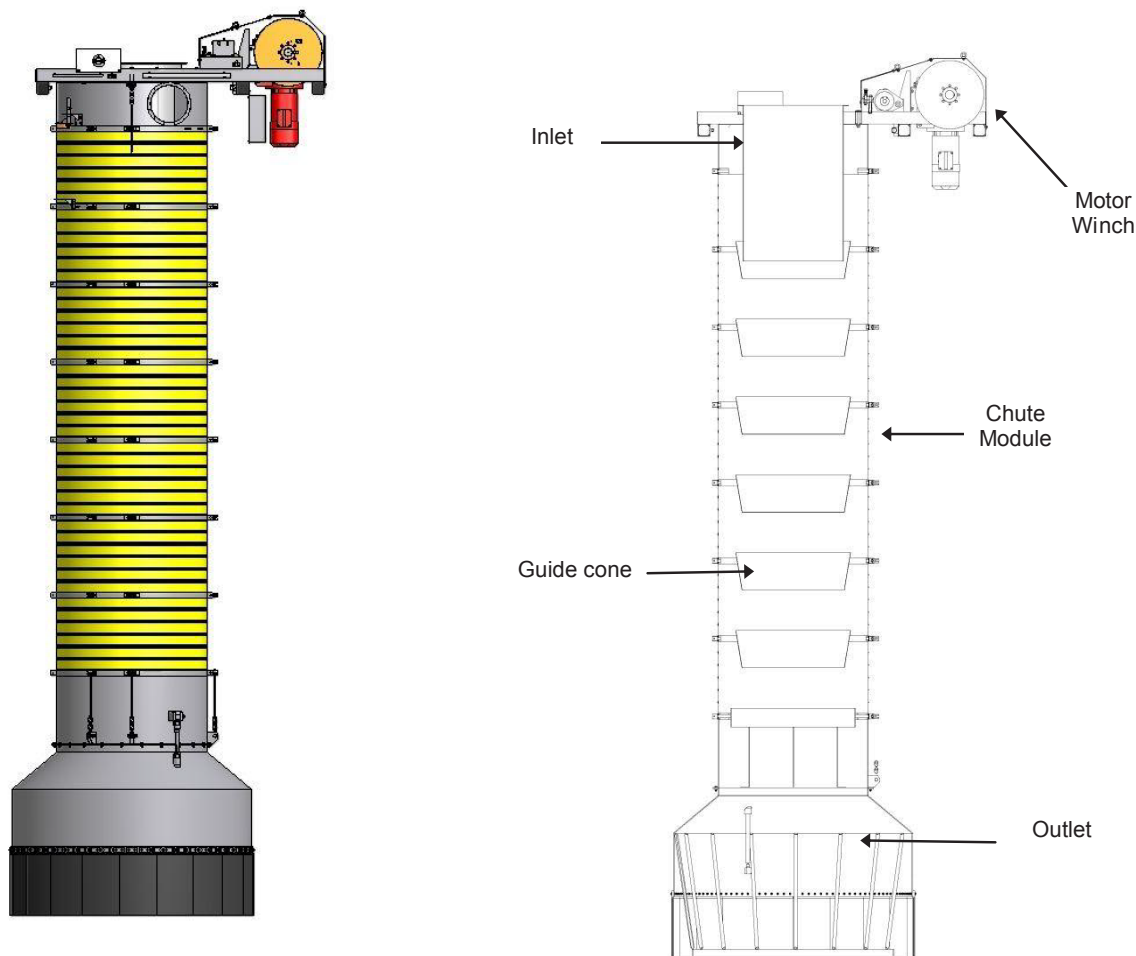


# MODUFLEX LOADING CHUTE V800F



Technical Information – V800F	
<b>Inlet</b>	Cylindrical Inlet tube in 4/6 mm steel. With Ø800mm connection with flange. 2 off exhaust connections Ø300mm with flange.
<b>Chute Modules</b>	Type Y - Standard: Yellow. PVC/Polyester. Ø=1200mm/H=625mm. Temperature -35°C - +70°C Type B - Heavy Duty: Black. Synthetic rubber. Ø=1200mm/H=625mm. Temperature -40°C - +130°C Type R - High temperature: Red. Polyester and fiber/silicone rubber. Ø1200/H625mm. Temp. -40°C - +150°C (peak +220°C) Type Z - Low temperature: Green. PVC/PU. Ø1200mm/H=625mm. Temperature -60° C - +70° C. Connection ring in stainless steel Aisi 304, c/w 3 off wire guides in nylon and fittings for relief wires.
<b>Guide Cones</b>	Type J - Steel Standard. Steel, H=300mm, pt=2/4mm. Type L - Steel Overlapping. Steel, H=650mm, pt=2/4mm.
<b>Outlet</b>	Type F – Flat Outlet with dust skirt for open loading. Option: Type T – Tank outlet for closed loading
<b>Motor Winch</b>	Brake motor 2.2 – 7,5kW, 1425 - 1460 rpm. Gear box ratio 1:124 – 1:143. Tight and slack wire indication on all 3 hoisting wires. External 3-point wire hoist system with high precision ball bearings and 3 off winch discs vertically fitted. 2 off relief wires. Hoist/relief wires Ø8mm available in steel or stainless steel Aisi316. Wire rollers in steel or stainless steel with high precision ball bearings.
<b>General info</b>	Max. loading capacity approx. 1800 m³/hour. Recommended connecting value for aspiration 5000-10000 m³/hour 100 Pa. Metal parts available in steel st. 37, stainless steel Aisi 304 or steel Hardox 400. Other steel qualities on demand. Surface treatment St. 37: Iron phosphating, 80 micron coating RAL 9010 pure white. Surface treatment Aisi 304: Acid-washed without any further treatment Optional: Hot dip galvanized inlet/outlet and motor frame Available with full approval and certificates for location in ATEX zone 22 (zone 20 inside the chute)