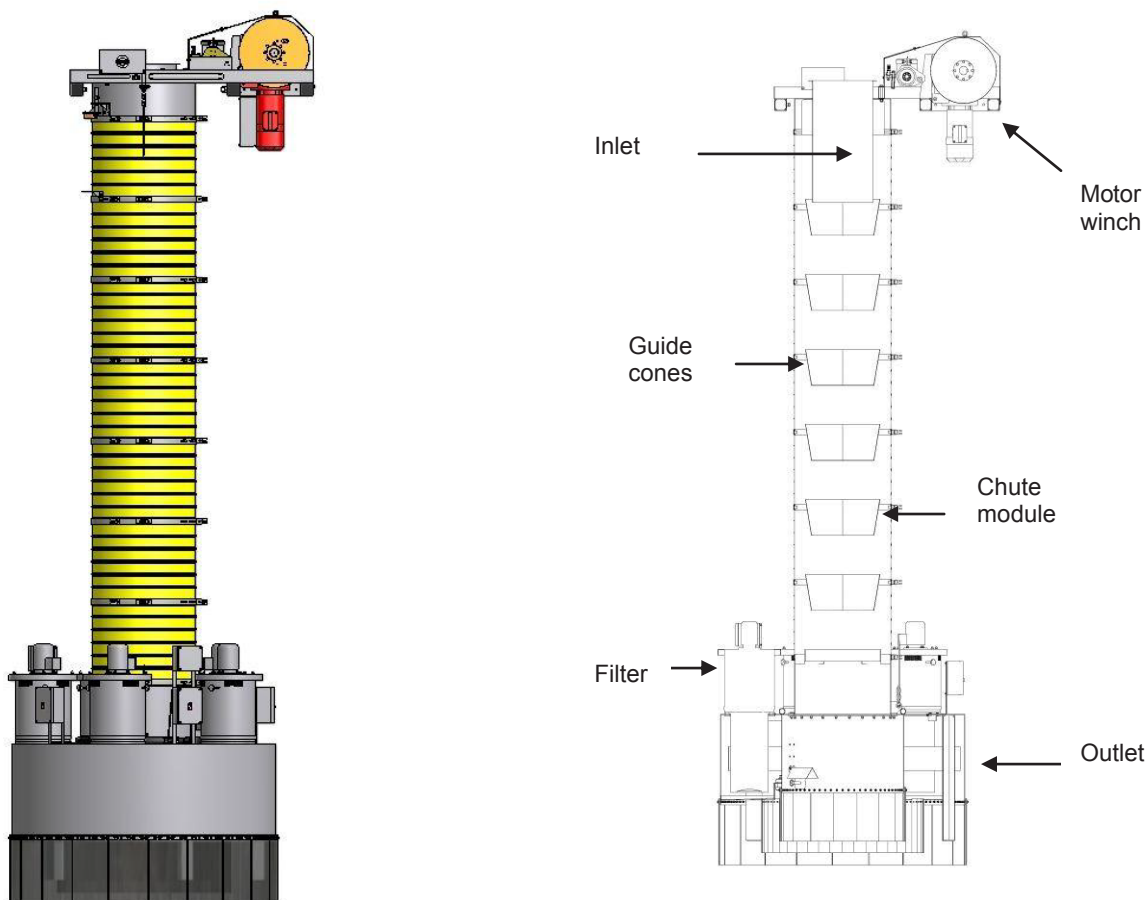


MODUFLEX LOADING CHUTE V500FF



Technical Information – V500FF	
Inlet	Cylindrical Inlet tube in 2/4 mm steel. With Ø500 connection with flange.
Chute Modules	Type Y - Standard: Yellow. PVC/Polyester. Ø=800mm/H=625mm. Temperature -35°C - +70°C Type B - Heavy Duty: Black. Synthetic rubber. Ø=800mm/H=625mm. Temperature -40°C - +130°C Type R - High temperature: Red. Polyester and fiber/silicone rubber. Ø800/H=625mm. Temp. -40°C - +150°C (peak +220°C) Type Z - Low temperature: Green. PVC/PU. Ø800mm/H=625mm. Temperature -60° C - +70° C. Connection ring in stainless steel Aisi 304, c/w 3 off wire guides in nylon and fittings for relief wires.
Guide Cones	Type J - Steel Standard. Steel, H=300mm, pt=2/4mm. Type L - Steel Overlapping. Steel, H=650mm, pt=2/4mm.
Outlet/Filter	Type FF – Flat Outlet with dust skirt for open loading. 5 off filter units mounted on outlet. Filter housing in AISI 304 c/w fan and regulation system. Each filter unit with built-in compressor, air receiver, solenoid valves etc. 7 m ² filter cartridge in each filter unit, type: CGT 351, total of 35 m ² .
Motor Winch	Brake motor 2.2-5.5 kW, 1425rpm. Gear box ratio 1:124 – 1:143. Tight and slack wire indication on all 3 hoisting wires. External 3-point wire hoist system with high precision ball bearings and 3 off winch discs vertically fitted. 2 off relief wires. Hoist/relief wires Ø8mm available in steel or stainless steel Aisi316. Wire rollers in steel or stainless steel with high precision ball bearings.
General info	Max. loading capacity approx. 700 m ³ /hour. Metal parts available in steel st. 37, stainless steel Aisi 304 or steel Hardox 400. Other steel qualities on demand. Surface treatment St. 37: Iron phosphating, 80 micron coating RAL 9010 pure white. Surface treatment Aisi 304: Acid-washed without any further treatment Optional: Hot dip galvanized inlet/outlet and motor frame. Available with full approval and certificates for location in ATEX zone 22 (zone 20 inside the chute)