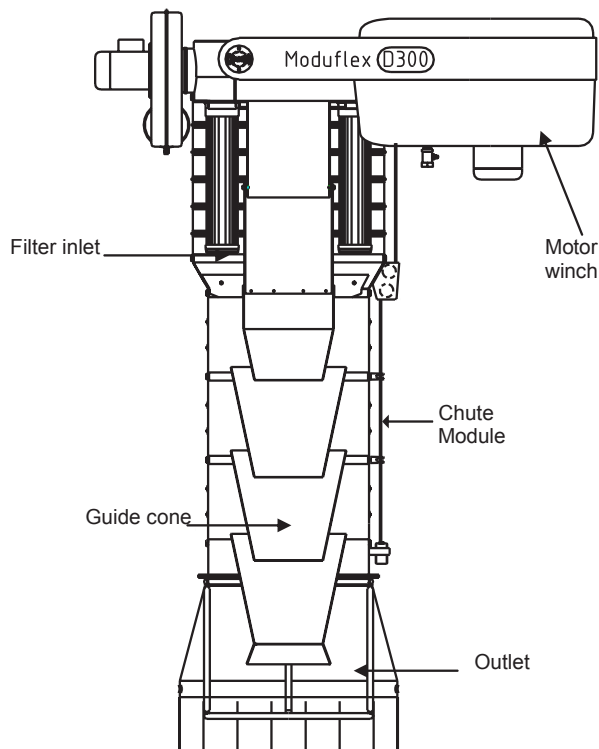


# MODUFLEX LOADING CHUTE D300



Technical Information – D300	
<b>Filter Inlet</b>	Cylindrical/conical inlet tube in 2/4 mm steel. Fitting Ø300 PN10 flange (2576B). Mounted with 12 off M20 bolts. Filter module with built-in cartridge filter, pressure tank, magnetic valves etc. 9 off filter cartridges, totals 7 m <sup>2</sup> c/w jubilee clip. Fan with 0,75kW motor and air regulator. Fan connection Ø160.
<b>Chute Modules</b>	Type Y - Standard: Yellow. PVC/Polyester. Ø600mm/H=300mm. Temperature -35°C - +70°C Type M - Food Grade: Light Grey. PVC/Polyester. Ø600mm/H=300mm. Temperature -30°C - +70°C Type W - Special: Misc. PVC/Polyester. Ø600mm/H=300mm. Temperature -35°C - +70°C Type B - Heavy Duty: Black. Synthetic rubber. Ø600mm/H=300mm. Temperature -40°C - +130°C Type G - Extreme Temperature: Grey. Teflon/Fiber glass. Ø600mm/H=300mm. Type R - High temperature: Red. Polyester and fiber/silicone rubber. Ø600/H=300mm. Temp. -40°C - +150°C (peak +220°C) Type Z - Low temperature: Green. PVC/PU. Ø600mm/H=300mm. Temperature -60° C - +70° C Connection ring in stainless steel Aisi 304, c/w 3 off wire guides in nylon.
<b>Guide Cones</b>	Type O - Support ring. Steel, H=30mm Type U - Ultramid. Polyamide 6.6. H=150mm, pt=6mm. Type J - Steel Standard. Steel, H=150mm, pt=2mm. Type L - Steel Overlapping, Steel, H=405mm, pt=2mm.
<b>Outlet</b>	Type T – Tank Outlet with steel cone for loading in tanker truck. Type F – Flat Outlet with dust skirt for loading in open truck. Type M – Multi Outlet with steel cone and dust skirt for loading in tanker truck and open truck.
<b>Motor Winch</b>	Motor 0.55-2.2 kW, 1400 rpm. Gear box ratio 100:1. Tight and slack wire indication External 3-point wire hoist system with high precision ball bearings and 3 off winch discs vertically fitted. Hoist wires Ø5mm available in steel, stainless steel Aisi316 or Long Life steel quality. Self-lubricating wire rollers in Ertalite TX, alternatively steel/stainless steel with bronze bearing
<b>General info</b>	Max. loading capacity approx. 250 m <sup>3</sup> /hour. Compressed air supply, filter: Connection 3-4 bar. Filter cleaning air consumption 70-280 NL/min. Metal parts available in painted steel st. 37 or stainless steel Aisi 304. Other steel qualities on demand. Surface treatment St. 37: Iron phosphating, 80 micron coating RAL 9010 pure white. Surface treatment Aisi 304: Acid-washed without any further treatment Motor winch covers in ABS - RAL 6005 dark green Available with full approval and certificates for location in ATEX zone 21 and 22 (zone 20 inside the chute)

Accessories for loading chute D300 please see separate Data Sheets.